

MICRO SWITCH
a Honeywell Division

SWITCH - ENCLOSED

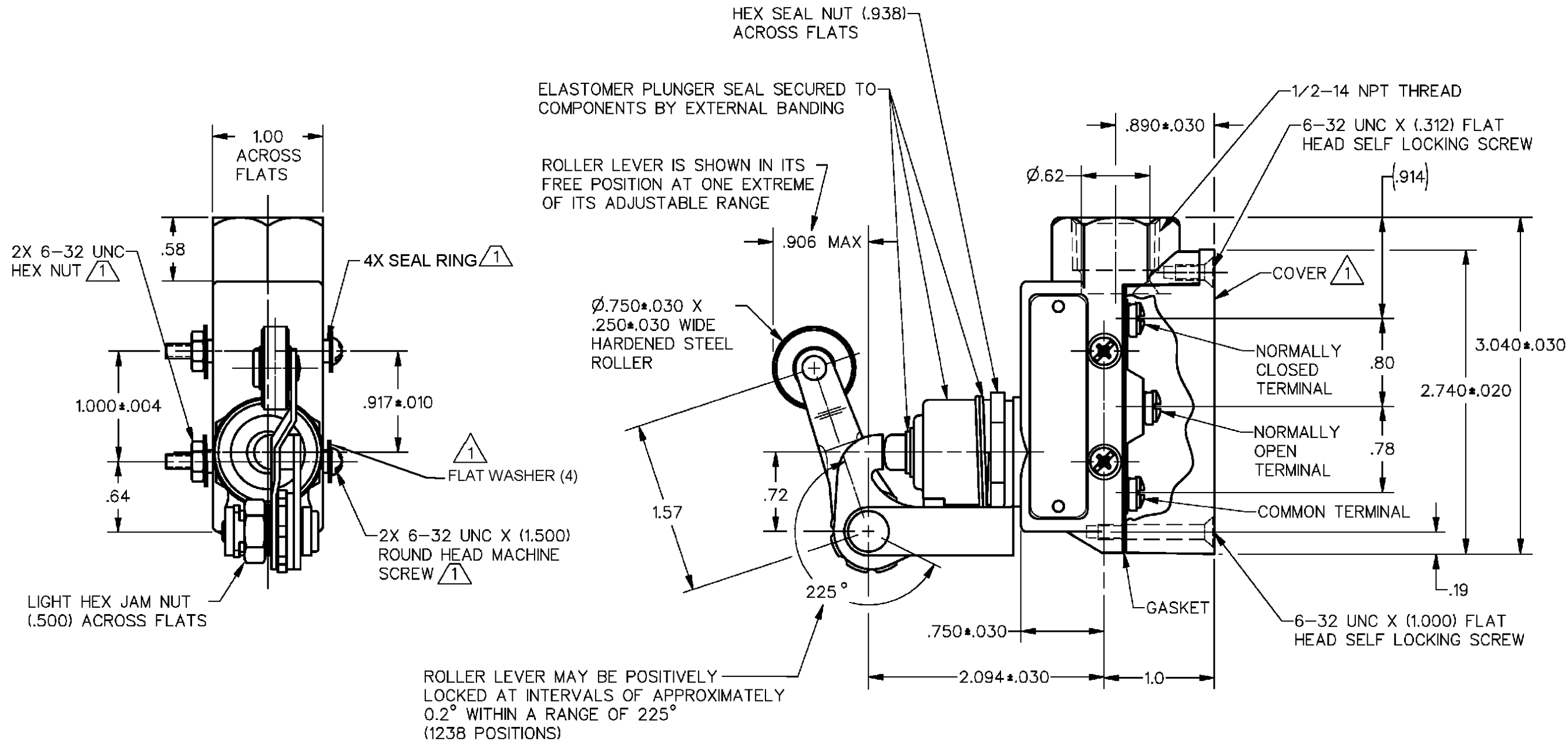
CATALOG LISTING
BZE6-2RN2

FED. MFG. CODE 91929

CATALOG LISTING
BZE6-2RN2
PAGE 1 OF 1
ISSUE **M**
13

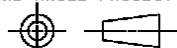
REVISIONS	CHECK	DATE
A	CO-73738	5 OCT 92
B	CO-73655	21 APR 93
C	CO-77179A	17 FEB 94
D	CO8151E	25 FEB 97
E	0017057	23 NOV 05

DDM/CAD
DRAWN
SAV 5 OCT 92
BP 23 NOV 05



THIS DRAWING COVERS A PROPRIETARY ITEM AND IS THE PROPERTY OF MICRO SWITCH, A DIVISION OF HONEYWELL. THIS DRAWING IS NOT TO BE COPIED OR USED WITHOUT THE APPROVAL OF MICRO SWITCH

THIRD ANGLE PROJECTION



CHARACTERISTICS
OPERATING FORCE ———— 10-20 OZ
RELEASE FORCE ———— 6 OZ MIN
PRETRAVEL ———— .188 MAX
DIFFERENTIAL TRAVEL ———— .006 MAX
OVERTRAVEL ———— .219 MIN
BASIC SWITCH REPLACEMENT ——— BZ-2RN702

ELECTRICAL DATA
CONTACT ARRANGEMENT S P D T
L74 15A 125, 250 OR 480 VAC 2A 600 VAC 1/8HP 125 VAC, 1/4HP 250 VAC 1/2A 125 VDC, 1/4A 250 VDC

SCALE	FULL
DO NOT SCALE PRINT	
UNLESS OTHERWISE SPECIFIED TOLERANCES ARE	
ONE PLACE	(.0) ± .030
TWO PLACE	(.00) ± .015
THREE PLACE	(.000) ± .005
ANGLES	±
WEIGHT	.71 LB

NOTE

- 1 - FURNISHED UNASSEMBLED
- 2 - ROLLER LEVER BRACKET ASSEMBLY MAY BE SET AT ANY POSITION AROUND AXIS OF PLUNGER
- 3 - 3X 6-32 UNC X (.219) BINDING HEAD TERMINAL SCREW AND CUPWASHER
- 4 - SEAL RATING: NEMA 1,3 IP54

ANSI Y14.5M-1982 APPLIES